

GUANGZHOU HAOQING MOTOR CO.,LTD

YZP Series Inverter and Vector Induction Motors for Crane and Metallurgical Applications



- Frame sizes: 100-400 Rated output: 1.5-300Kw
- Voltage: 380V Number of poles: 4,6,8,10
- Duty Cycle: S3 FC: 40%
- Frequency range: 5-75Hz (frame size 355-4) ; 5-100Hz (Other frame sizes)
- Insulation class: F, H

Application: Used in the metallurgy and mine industry for driving type crane and similar equipment, especially suit for the instruments which have significant vibration or need short-term and intermittent operation,

frequent start and brake, overload.

Feature: Good overload capacity and strong mechanical strength, stepless speed regulation, wide speed regulation range, energy-saving; insulation material that can resistant high frequency impulse voltage; separated blower for forced cooling air.

Circumstance: Altitude not exceed 1000m, ambient temperature shall be no higher than +40°C nor lower than -15°C; in metallurgy environment the highest temperature shall not higher than +60°C.

Performance Data

380V 50Hz

Model	Output kW	FLA	RPM	Eff.%	Power Factor	FLT N.m	Rotor inertia (kg·m ²)	Axial fan		Constant Torque Hz	Constant Output Hz
								Voltage (V)	Output (W)		
Synchronous speed 1500r/min											
YZP112M1-4	3.0	6.8	1435	83.0	0.81	20.0	0.012	380	55	5~50	50~100
YZP112M2-4	4.0	8.9	1435	84.0	0.81	26.6	0.014	380	55	5~50	50~100
YZP132M1-4	5.5	11.7	1445	85.0	0.84	36.3	0.031	380	55	5~50	50~100
YZP132M2-4	6.3	13.1	1445	87.0	0.84	41.6	0.041	380	55	5~50	50~100
YZP160M1-4	7.5	16.0	1455	88.0	0.81	49.2	0.07	380	80	5~50	50~100
YZP160M2-4	11	23.4	1455	88.0	0.81	72.2	0.092	380	80	5~50	50~100
YZP160L-4	15	30.5	1455	89.0	0.84	98.5	0.117	380	80	5~50	50~100
YZP180L-4	22	43.2	1465	91.0	0.85	143	0.198	380	80	5~50	50~100
YZP200L-4	30	58.3	1475	92.0	0.85	194	0.346	380	150	5~50	50~100
YZP225M-4	37	70.3	1480	93.0	0.86	239	0.665	380	200	5~50	50~100
YZP250M1-4	45	86.5	1480	93.0	0.85	290	0.789	380	230	5~50	50~100
YZP250M2-4	55	104.5	1480	93.0	0.86	355	0.892	380	230	5~50	50~100

GUANGZHOU HAOQING MOTOR CO.,LTD

Performance Data

380V 50Hz

Model	Output kW	FLA	RPM	Eff.%	Power Factor	FLT N.m	Rotor inertia (kg·m ²)	Axial fan		Constant Torque Hz	Constant Output Hz
								Voltage (V)	Output (W)		
Synchronous speed 1500r/min											
YZP280S1-4	63	121.1	1485	93.0	0.85	405	1.468	380	320	5~50	50~100
YZP280S2-4	75	141.3	1485	93.8	0.86	482	1.631	380	320	5~50	50~100
YZP280M-4	90	166.9	1485	94.2	0.87	579	1.955	380	320	5~50	50~100
YZP315S-4	110	205.7	1485	94.5	0.86	707	3.979	380	370	5~50	50~100
YZP315M-4	132	243.9	1485	94.5	0.87	849	4.544	380	370	5~50	50~100
YZP355M-4	160	290.8	1490	95.0	0.88	1026	7.405	380	370	5~50	50~100
YZP355L1-4	200	353.6	1490	95.5	0.9	1282	8.767	380	600	5~50	50~100
YZP355L2-4	250	441.9	1490	95.5	0.9	1602	10.296	380	600	5~50	50~100
Synchronous speed 1000r/min											
YZP112M1-6	1.5	3.9	940	78.0	0.75	15.2	0.013	380	55	5~50	50~100
YZP112M2-6	2.2	5.6	940	79.0	0.76	22.4	0.017	380	55	5~50	50~100
YZP132M1-6	3	7.4	960	81.0	0.76	29.8	0.035	380	55	5~50	50~100
YZP132M2-6	4	9.6	960	83.0	0.76	39.8	0.046	380	55	5~50	50~100
YZP160M1-6	5.5	12.5	965	86.0	0.78	54.4	0.086	380	80	5~50	50~100
YZP160M2-6	7.5	17.0	965	86.0	0.78	74.2	0.11	380	80	5~50	50~100
YZP160L-6	11	24.3	965	87.0	0.79	109	0.145	380	80	5~50	50~100
YZP180L-6	15	32.0	975	89.0	0.8	147	0.253	380	80	5~50	50~100
YZP200L-6	22	47.0	980	90.0	0.79	214	0.482	380	150	5~50	50~100
YZP225M-6	30	59.3	985	91.5	0.84	291	0.785	380	200	5~50	50~100
YZP250M1-6	37	71.1	980	92.0	0.86	361	1.153	380	230	5~50	50~100
YZP250M2-6	45	86.4	980	92.0	0.86	439	1.351	380	230	5~50	50~100
YZP280S1-6	55	106.3	985	92.5	0.85	533	2.227	380	320	5~50	50~100
YZP280S2-6	63	120.3	985	92.5	0.86	611	2.477	380	320	5~50	50~100
YZP280M-6	75	140.8	985	93.0	0.87	727	2.857	380	320	5~50	50~100
YZP315S-6	90	172.1	990	93.5	0.85	868	5.216	380	370	5~50	50~100
YZP315M-6	110	209.6	990	93.8	0.85	1061	5.887	380	370	5~50	50~100
YZP355M-6	132	251.0	990	94.0	0.85	1273	9.726	380	600	5~50	50~100
YZP355L1-6	160	302.6	990	94.5	0.85	1543	10.957	380	600	5~50	50~100
YZP355L2-6	200	373.9	990	94.5	0.86	1929	13.1	380	600	5~50	50~100
YZP400L1-6	250	473.2	990	95.0	0.845	2388	22.8	380	2200	5-50	50-100
YZP400L2-6	300	567.8	990	95.0	0.845	2865	25.8	380	2200	5-50	50-100
Synchronous speed 750r/min											
YZP132M1-8	2.2	6.0	710	78.0	0.71	29.6	0.035	380	55	5~50	50~100
YZP132M2-8	3	8.1	710	79.0	0.71	40.4	0.046	380	55	5~50	50~100
YZP160M1-8	4	10.0	720	83.0	0.73	53.1	0.082	380	80	5~50	50~100

GUANGZHOU HAOQING MOTOR CO.,LTD

Performance Data

380V 50Hz

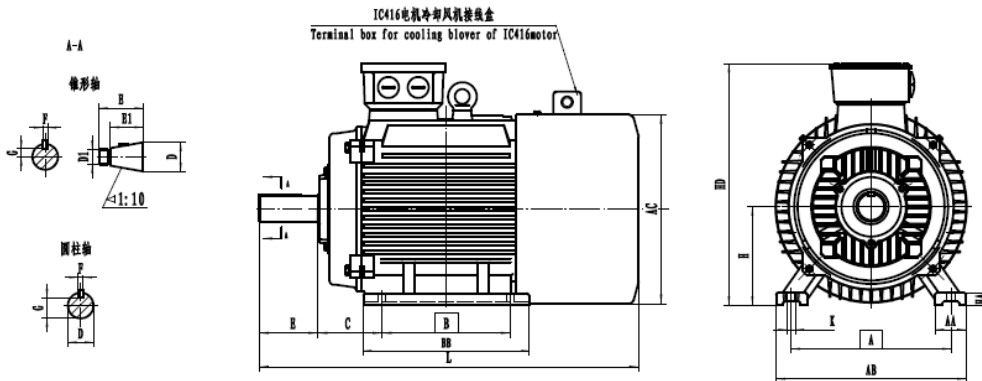
Model	Output kW	FLA	RPM	Eff.%	Power Factor	FLT N.m	Rotor inertia (kg·m ²)	Axial fan		Constant Torque Hz	Constant Output Hz
								Voltage (V)	Output (W)		
Synchronous speed 750r/min											
YZP160M2-8	5.5	13.8	720	83.0	0.73	73.0	0.11	380	80	5~50	50~100
YZP160L-8	7.5	18.1	720	85.0	0.74	99.5	0.149	380	80	5~50	50~100
YZP180L-8	11	26.3	725	87.0	0.73	145	0.253	380	80	5~50	50~100
YZP200L-8	15	36.0	730	88.0	0.72	196	0.461	380	150	5~50	50~100
YZP225M-8	22	49.5	725	90.0	0.75	290	0.808	380	200	5~50	50~100
YZP250M1-8	30	64.2	735	91.0	0.78	390	1.227	380	230	5~50	50~100
YZP250M2-8	37	78.2	735	91.0	0.79	481	1.45	380	230	5~50	50~100
YZP280S-8	45	96.5	740	92.0	0.77	581	2.519	380	320	5~50	50~100
YZP280M-8	55	115.8	740	92.5	0.78	710	2.978	380	320	5~50	50~100
YZP315S1-8	63	134.0	740	92.8	0.77	813	6.255	380	370	5~50	50~100
YZP315S2-8	75	157.4	740	92.8	0.78	968	7.036	380	370	5~50	50~100
YZP315M-8	90	188.5	740	93.0	0.78	1162	7.908	380	370	5~50	50~100
YZP355M-8	110	227.9	740	94.0	0.78	1420	9.792	380	600	5~50	50~100
YZP355L1-8	132	272.1	740	94.5	0.78	1704	11.588	380	600	5~50	50~100
YZP355L2-8	160	329.8	740	94.5	0.78	2065	13.781	380	600	5~50	50~100
YZP400L1-8	200	399.5	745	94.5	0.805	2547	22.8	380	2200	5-50	50-100
YZP400L2-8	250	499.3	745	94.5	0.805	3183	25.8	380	2200	5-50	50-100
Synchronous speed 600r/min											
YZP280S-10	37	88	590	90.0	0.71	599	2.519	380	320	5~50	50~100
YZP280M-10	45	107	590	90.0	0.71	728	2.978	380	320	5~50	50~100
YZP315S1-10	55	126.8	590	91.5	0.72	890	6.428	380	370	5~50	50~100
YZP315S2-10	63	144.5	590	92.0	0.72	1020	7.036	380	370	5~50	50~100
YZP315M-10	75	168.8	590	92.5	0.73	1214	7.908	380	370	5~50	50~100
YZP355M-10	90	203.8	595	93.2	0.72	1445	9.646	380	600	5~50	50~100
YZP355L1-10	110	246.9	595	94.0	0.72	1766	11.588	380	600	5~50	50~100
YZP355L2-10	132	292.3	595	94.0	0.73	2119	13.781	380	600	5~50	50~100
YZP400L1-10	160	341.4	595	93.7	0.76	2550	23.6	380	2200	5-50	50-100
YZP400L2-10	200	426.7	595	93.7	0.76	3183	25.2	380	2200	5-50	50-100

GUANGZHOU HAOQING MOTOR CO.,LTD

Dimensions & Mounting

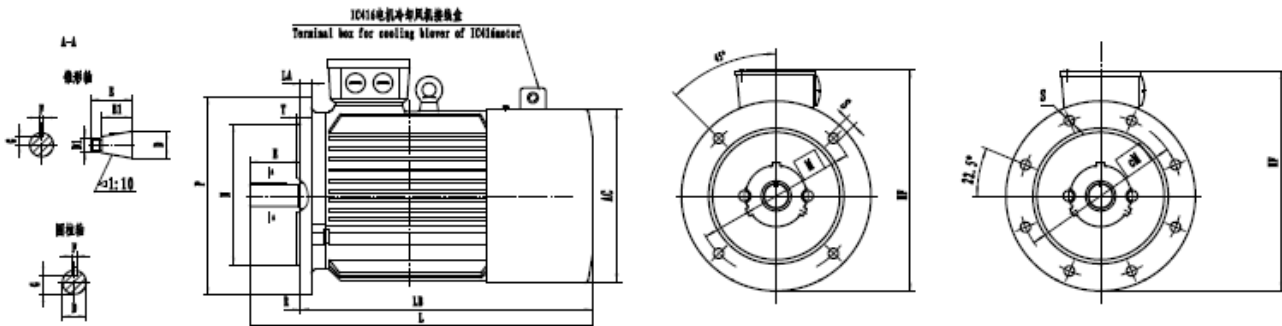
mm

(1) IM1001、IM1003 Foot mounted



Frame	Mounting Dimension												Overall Dimension						
	A	B	C	D	D1	E	E1	F	G	H	K	Bolt dia	AA	AB	AC	BB	HA	HD	L
112M	190	140	70	32	-	80	-	10	27	112	12	M10	45	230	225	200	14	300	495
132M	216	178	89	38	-	80	-	10	33	132	12	M10	55	265	270	230	18	350	640
160M	254	210	108	48	-	110	-	14	42.5	160	15	M12	65	315	320	260	20	420	695
160L	254	254	108	48	-	110	-	14	42.5	160	15	M12	65	315	320	304	20	420	735
180L	279	279	121	55	M36×3	110	82	14	19.9	180	15	M12	70	355	360	349	22	445	825
200L	318	305	133	60	M42×3	140	105	16	21.4	200	19	M16	74	395	400	379	26	505/510	885
225M	356	311	149	65	M42×3	140	105	16	23.9	225	19	M16	78	435	450	400	28	550	905
250M	406	349	168	70	M48×3	140	105	18	25.4	250	24	M20	80	490	510	445	30	630	985
280S	457	368	190	85	M56×4	170	130	20	31.7	280	24	M20	90	545	550	485	35	675	1090
280M	457	419	190	85	M56×4	170	130	20	31.7	280	24	M20	90	545	550	536	35	675	1140
315S	508	406	216	95	M64×4	170	130	22	35.2	315	28	M24	120	635	630	570	45	855	1300
315M	508	457	216	95	M64×4	170	130	22	35.2	315	28	M24	120	635	630	610	45	855	1325
355M	610	560	254	110	M80×4	210	165	25	41.9	355	28	M24	130	735	715	690	50	1000	1540
355L	610	630	254	110	M80×4	210	165	25	41.9	355	28	M24	130	735	715	750	52	1000	1650
400L	686	710	280	130	M100×4	250	200	28	50	400	35	M30	140	820	890	1100	45	1170	2045

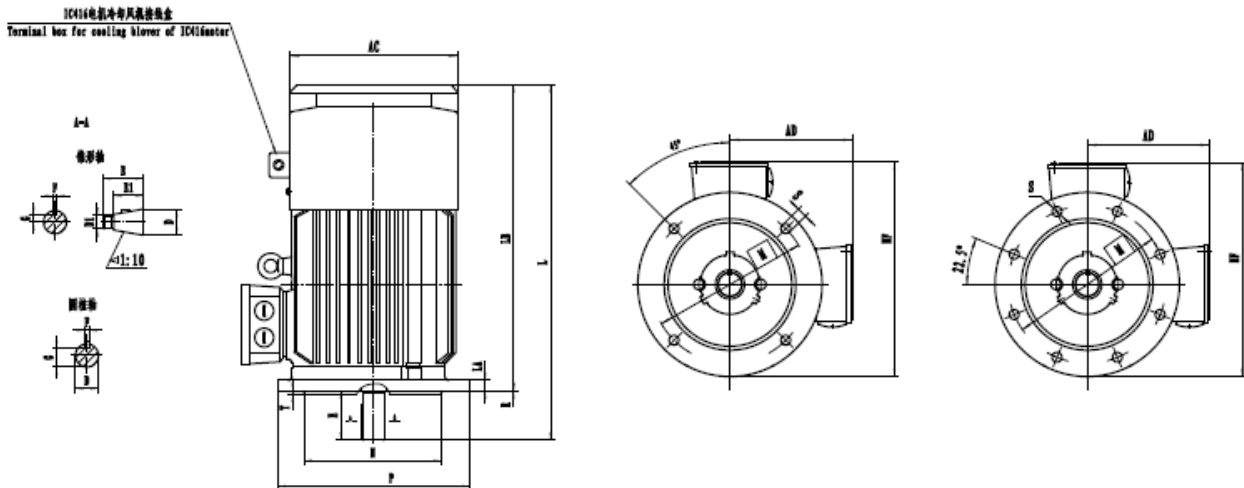
(2) IM3001、IM3003 Horizontal mounted



GUANGZHOU HAOQING MOTOR CO.,LTD

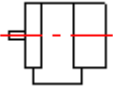
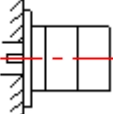
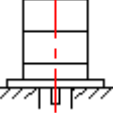
Frame	Flange	Mounting Dimension														Overall Dimension		
		D	D1	E	E1	F	G	M	N	P	R	S	Bolt dia	T	Holes	L	LA	LB
112M	FF215	32	-	80	-	10	27	265	230	300	0	15	M12	4	4	510	14	430
132M	FF265	38	-	80	-	10	33	265	230	300	0	15	M12	4	4	640	14	560
160M	FF300	48	-	110	-	14	42.5	300	250	350	0	19	M16	5	4	715	18	605
160L	FF300	48	-	110	-	14	42.5	300	250	350	0	19	M16	5	4	755	18	645
180L	FF300	55	M36×3	110	82	14	19.9	300	250	350	0	19	M16	5	4	845	18	735
200L	FF400	60	M42×3	140	105	16	21.4	400	350	450	0	19	M16	5	8	905	20	765
225M	FF400	65	M42×3	140	105	16	23.9	400	350	450	0	19	M16	5	8	925	20	785
250M	FF500	70	M48×3	140	105	18	25.4	500	450	550	0	19	M16	5	8	1005	22	865
280S	FF500	85	M56×4	170	130	20	31.7	500	450	550	0	19	M16	5	8	1115	22	945
280M	FF500	85	M56×4	170	130	20	31.7	500	450	550	0	19	M16	5	8	1165	22	995
315S	FF600	95	M64×4	170	130	22	35.2	600	550	660	0	24	M20	6	8	1300	25	1130
315M	FF600	95	M64×4	170	130	22	35.2	600	550	660	0	24	M20	6	8	1325	25	1155

(3) IM3011、IM3013 Vertical Mounted



Frame	Flange	Mounting Dimension														Overall Dimension			
		D	D1	E	E1	F	G	M	N	P	R	S	Bolt dia	T	Holes	AD	L	LA	LB
112M	FF215	32	-	80	-	10	27	265	230	300	0	15	M12	4	4	220	540	14	460
132M	FF265	38	-	80	-	10	33	265	230	300	0	15	M12	4	4	230	676	14	596
160M	FF300	48	-	110	-	14	42.5	300	250	350	0	19	M16	5	4	260	760	18	650
160L	FF300	48	-	110	-	14	42.5	300	250	350	0	19	M16	5	4	260	800	18	690
180L	FF300	55	M36×3	110	82	14	19.9	300	250	350	0	19	M16	5	4	280	893	18	783
200L	FF400	60	M42×3	140	105	16	21.4	400	350	450	0	19	M16	5	8	320	958	20	818
225M	FF400	65	M42×3	140	105	16	23.9	400	350	450	0	19	M16	5	8	335	984	20	844
250M	FF500	70	M48×3	140	105	18	25.4	500	450	550	0	19	M16	5	8	385	1073	22	933
280S	FF500	85	M56×4	170	130	20	31.7	500	450	550	0	19	M16	5	8	435	1187	22	1017
280M	FF500	85	M56×4	170	130	20	31.7	500	450	550	0	19	M16	5	8	435	1237	22	1067
315S	FF600	95	M64×4	170	130	22	35.2	600	550	660	0	24	M20	6	8	520	1430	25	1260
315M	FF600	95	M64×4	170	130	22	35.2	600	550	660	0	24	M20	6	8	520	1455	25	1285

GUANGZHOU HAOQING MOTOR CO.,LTD

Mounting arrangement	Code	Frame
	IM1001	112 ~ 160
	IM1003	180 ~ 400
	IM3001	112 ~ 160
	IM3003	180 ~ 315
	IM3011	112 ~ 160
	IM3013	180 ~ 315

Note: Data here is indicative only. Actual product may differ; and data above may be changed without prior notice.